

Antenna, Puck

ERF4014

Description

The ERF4014 antenna is a black GPS antenna with a SMA Male connector. The antenna can also be used in these frequency bands: 724 ~ 888 MHz and 925 ~ 4000 MHz. The antenna can be used for applications such as, M2M , GPS, GLONASS and more.



Technology

- GPS
- GLONASS



Features

Electrical Properties	Description		
Frequency marker	Frequency band MHz	Return loss dB	V.S.W.R.
1	1.200	-15.2	< 1.4
2	1.575	-8.5	< 2.2
Nominal Impedance	50 Ω		
Polarization	Horizontal		

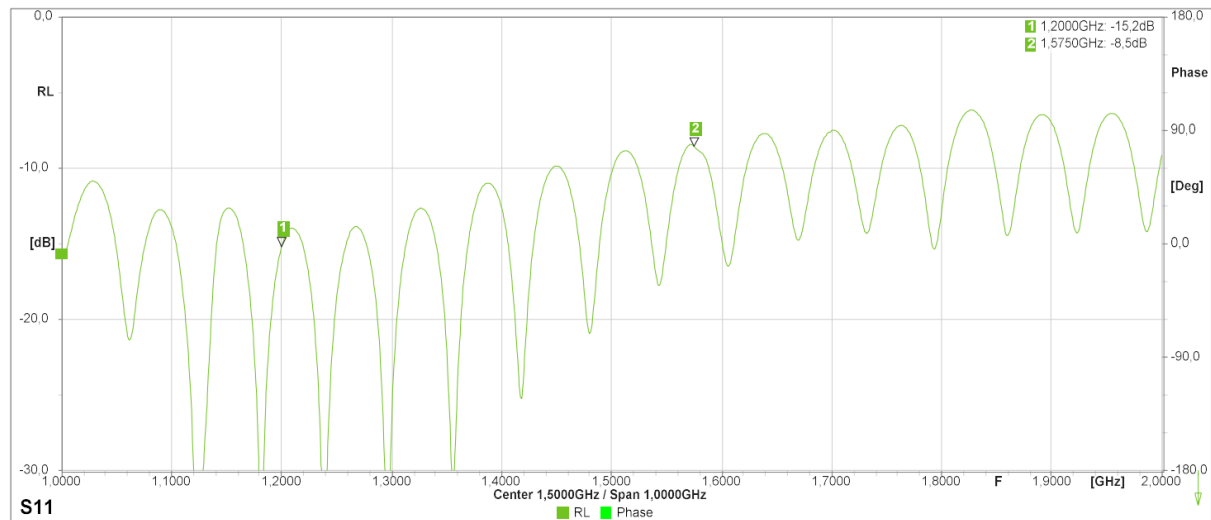
Antenna, Puck

ERF4014

Mechanical Properties	Description
Antenna	External Antenna
Mounting	Adhesive
Connector	SMA (Male)
Dimensions	34,3 * 39,4 * 12,6 mm
Color	Black
Cable Length	~1,5 m
Operating Temperature	-20°C~+60°C
Storage Temperature	-20°C~+60°C

Antenna Properties

Return Loss

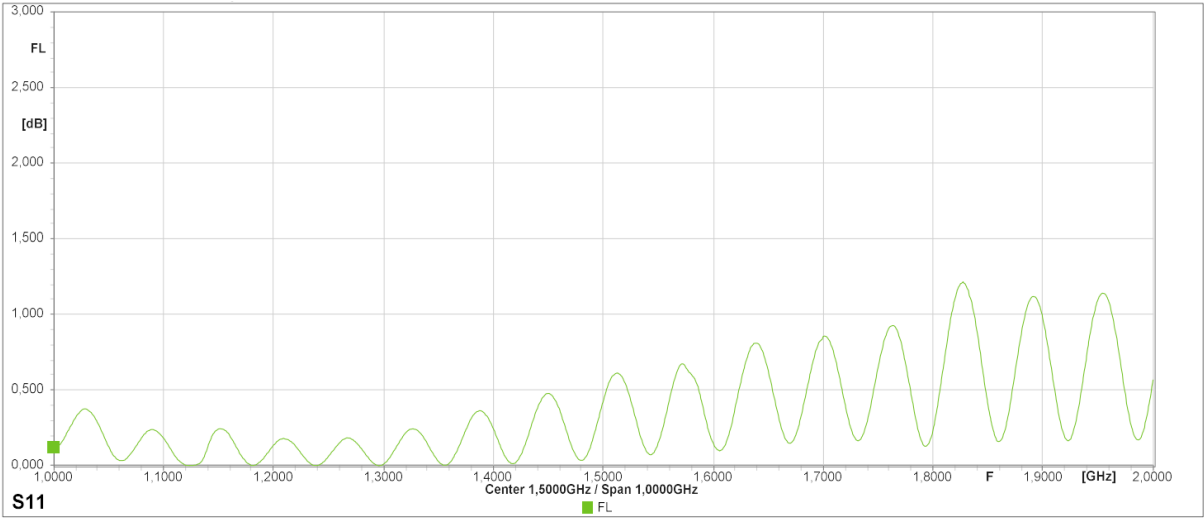


Antenna, Puck

ERF4014



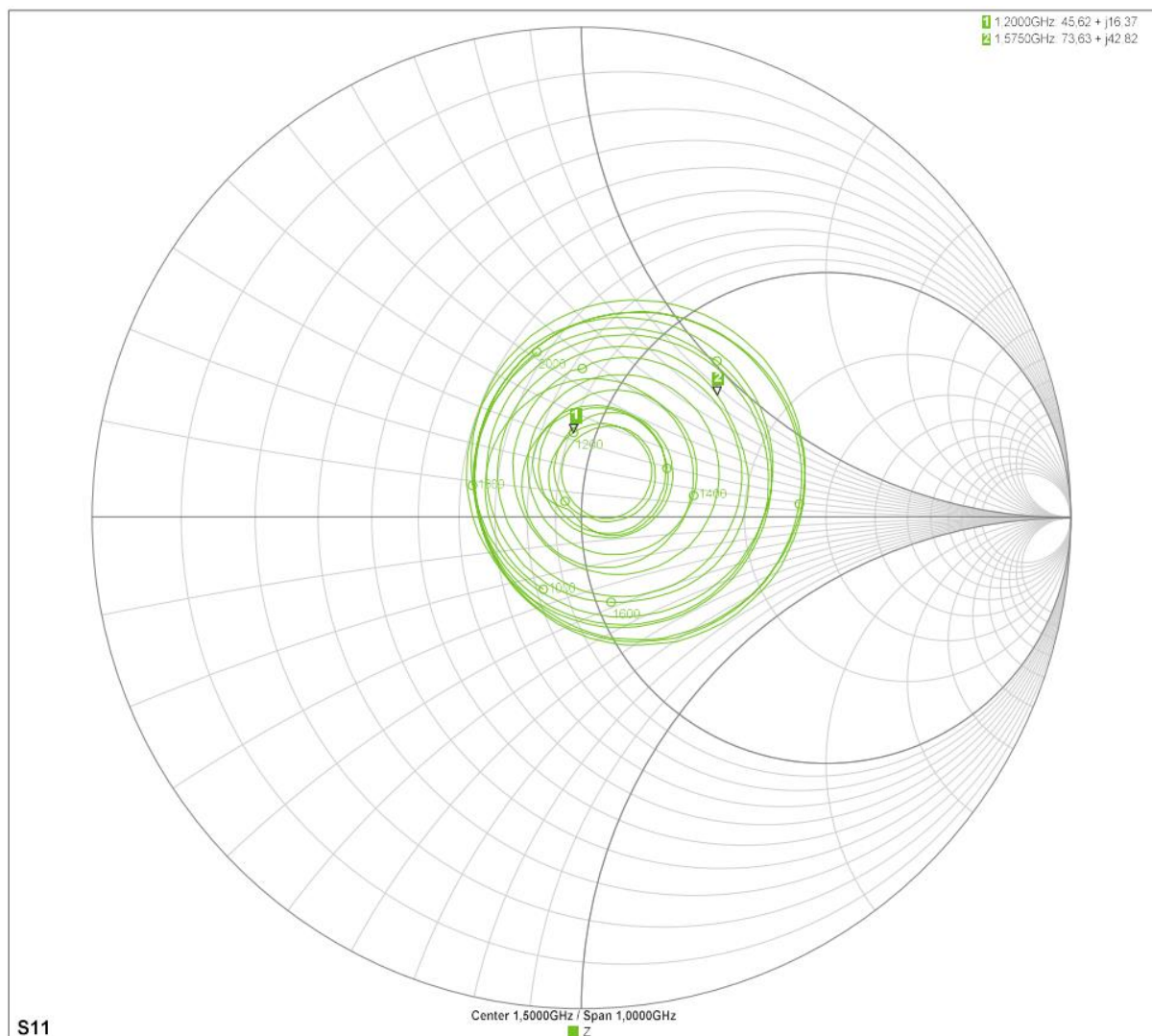
Forward Loss



Antenna, Puck

ERF4014

Impedance

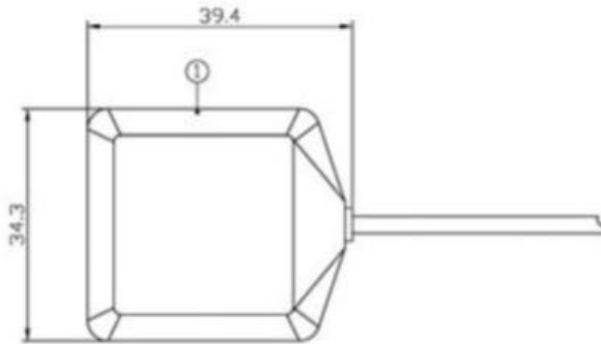


Antenna, Puck

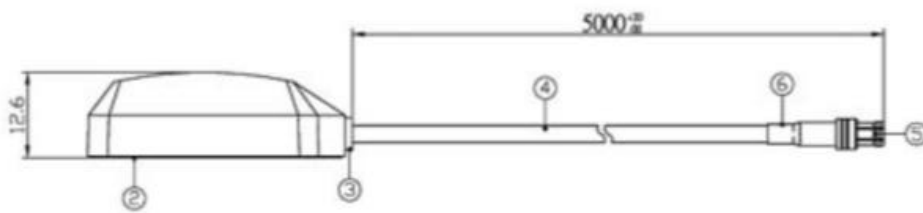
ERF4014

Dimensions

*Unit: mm



NO.	NAME	FINISH	Q. TY
01	Top cap	Black	01
02	Sticker	Silver	01
03	Waterproof o-ring	Black	01
04	RG-174 /U Cable	Black	01
05	MCX 180'(Male)	Golden plating	01
06	Heat-shrink tube	Black	01



Connector



SMA Male



SMA Female



RP-SMA Male



RP-SMA Female

The ERF4014 antenna uses the SMA Male connector.

Ordering information

Ordering can be done via www.summit-electronics.com or via info@summit-electronics.com. Please contact us for more information. Customisation of the product is available on request.

Antenna, Puck

ERF4014



Technical support

For all product questions please contact us via info@summit-electronics.com

Document revision

Rev	Date	changes
V01.00	06-04-2023	First issue of document